

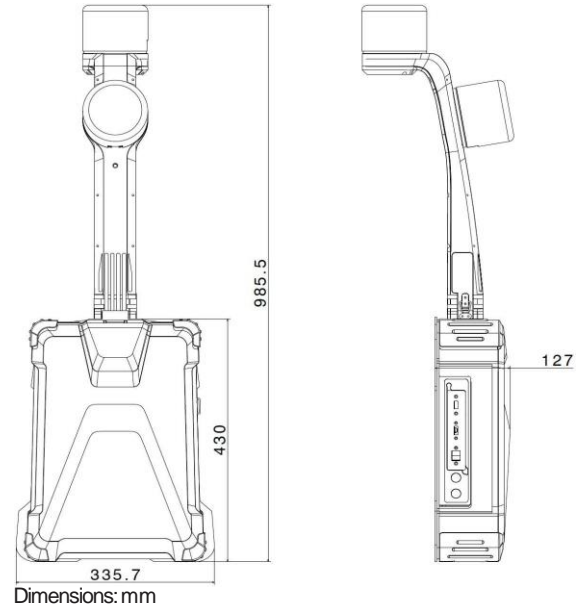


LiBackpack D50

Mobile Handheld 3D Mapping System

LiBackpack D50 Mobile Handheld 3D Mapping System

LiBackpack D50 is GVI's premium mobile laser scanning system. Powered by two Velodyne VLP-16 sensors and GVI's proprietary algorithms, the D50 provides superior SLAM performance, wider effective FOV (Field of View) and longer practical detection range. All of this is contained in a durable, lightweight housing, allowing users to scan vast areas for up to two hours.



Real-Time Data Visualization

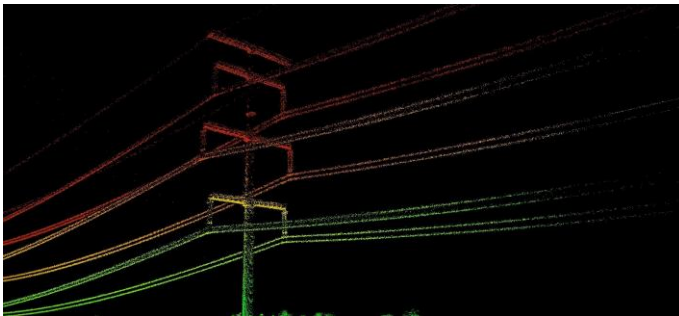
Visualize the point cloud in real-time via the connected device (wired/ wireless). The LiBackpack user interface also displays device status information.

Expanded Field of View

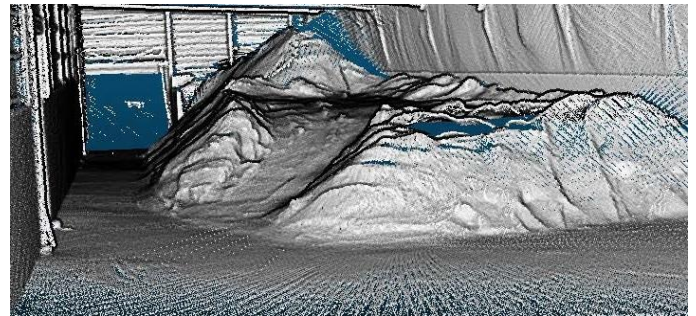
Dual Velodyne VLP-16 laser sensors offer an expanded field of view (FOV) with up to twice as many points.

Robust SLAM Solution

More robust SLAM technologies due to the inclusion of twice as many data points (compared to the LiBackpack 50).



Scan power lines and analyze potential vegetation hazards



Obtain mining stockpile volumetric information

Specifications

| | |
|---------------------------|--|
| Laser Sensor | Velodyne VLP-16*2 |
| LiDAR Accuracy | ±3 cm |
| Scan Range | 100m |
| Data Accuracy | ~5cm |
| Operation & Data Transfer | WiFi connection (mobile phone, tablet) Wired Ethernet connection (tablet) |
| Onboard Storage | 512 GB |
| Ports Available | HDMI, Ethernet & USB |
| Operation Time | ~2 hour w/ DJI TB47S battery |

| | |
|------------------------|-----------------------|
| Weight | 8.8kg without battery |
| Dimensions | 985.5*335.7*127 mm |
| Typical Ground Speed | 1 m/s |
| Max. Power Consumption | 65 w |
| WiFi Band | 2.4 GHz |
| Scan Rate | 600 kHz |
| Vertical FOV | -90° to +90° |
| Horizontal FOV | 360° |
| Display | UI via mobile device |